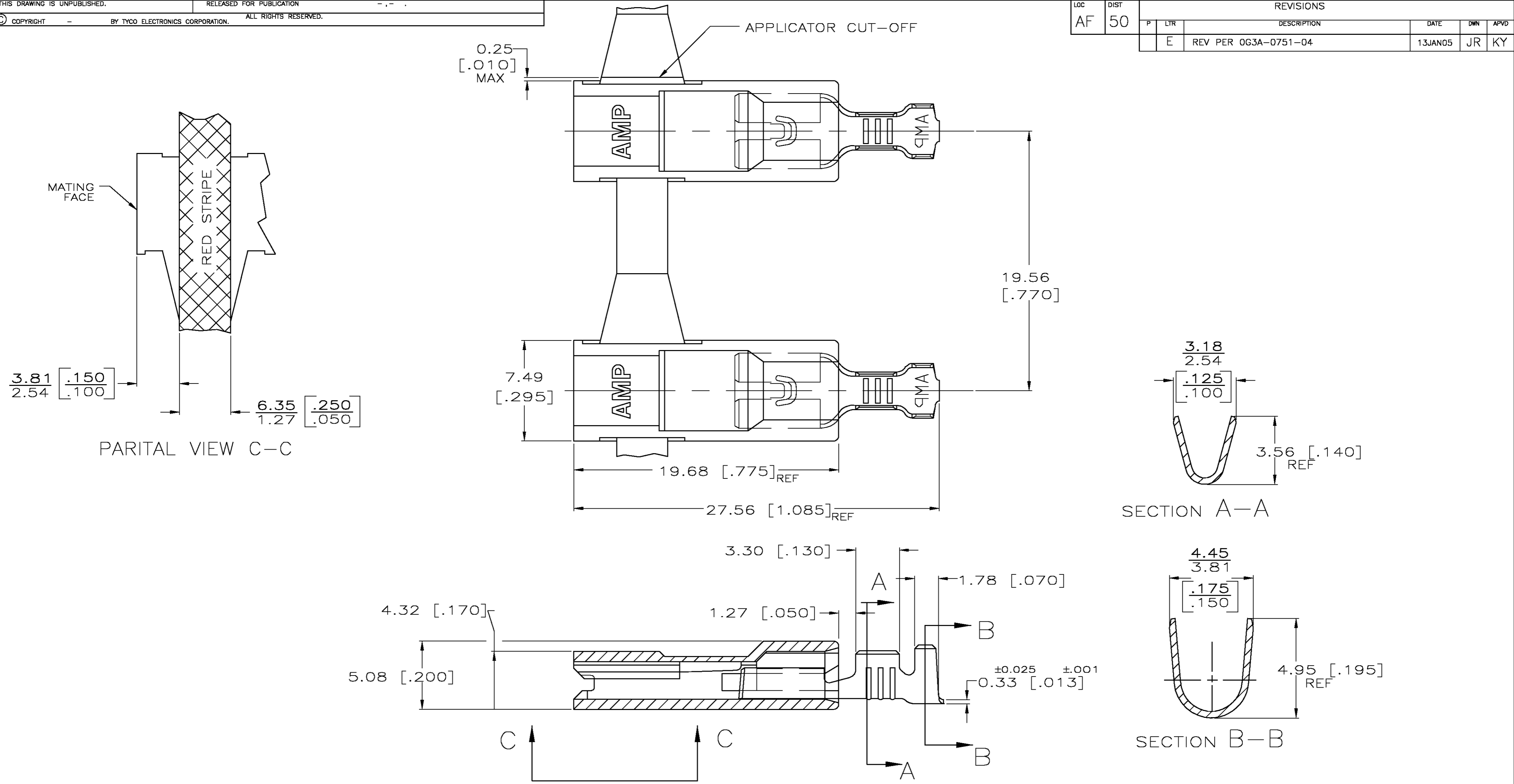


THIS DRAWING IS UNPUBLISHED. RELEASED FOR PUBLICATION  
 © COPYRIGHT BY TYCO ELECTRONICS CORPORATION. ALL RIGHTS RESERVED.

LOC	DIST	REVISIONS			
P	LTR	DESCRIPTION	DATE	DWN	APVD
AF	50	E	REV PER 0G3A-0751-04	13JAN05	JR KY



- 1 FASTON TERMINALS, BASE P/N 63654, ARE USED IN THIS PRODUCT.
- 2 MATERIAL - HOUSING, 6/6 NYLON, COLOR NATURAL TERMINAL, 4H BRASS, NO PLATING

OBSOLETE	— BULK — STANDARD	2.29–3.30 [.090–.130]	0.5–1.3 mm <sup>2</sup> [20–16]	0.81 [.032]	5-521086-1 521086-1
	PACKAGING	INSULATION RANGE	WIRE SIZE	MATING TAB THK ±0.025 [±.001]	PART NO.

THIS DRAWING IS A CONTROLLED DOCUMENT.

DIMENSIONS: MM [INCHES]	TOLERANCES UNLESS OTHERWISE SPECIFIED:	DWN: JR RUTH 4/28/95	Tyco Electronics Corporation Harrisburg, Pa 17105-3608
	0 PLC ± -	CHK: MS FEHER 4/28/95	
	1 PLC ± -	APVD: J WORMAN 4/28/95	
	2 PLC ± -	NAME: J WORMAN	
	3 PLC ± 0.25 [.010]	PRODUCT SPEC: 118-1285	ASSEMBLY, RECEPTACLE, ULTRA-POD, 4.8 [.187] SERIES WITH RED STRIPE
	4 PLC ± -	APPLICATION SPEC: 114-2124	RESTRICTED TO
MATERIAL: -2	FINISH: -2	WEIGHT: -	SIZE: A2 CAGE CODE: 00779 DRAWING NO: C=521086
CUSTOMER DRAWING			SCALE: 5:1 SHEET: 1 OF 1 REV: E